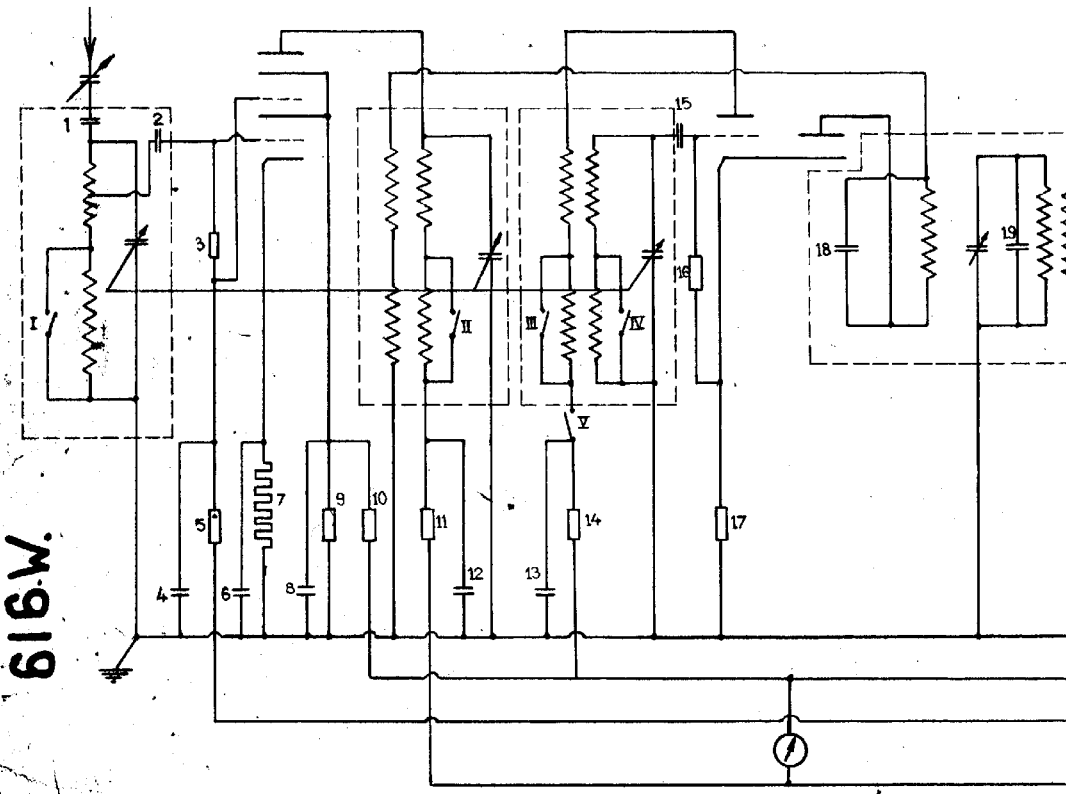
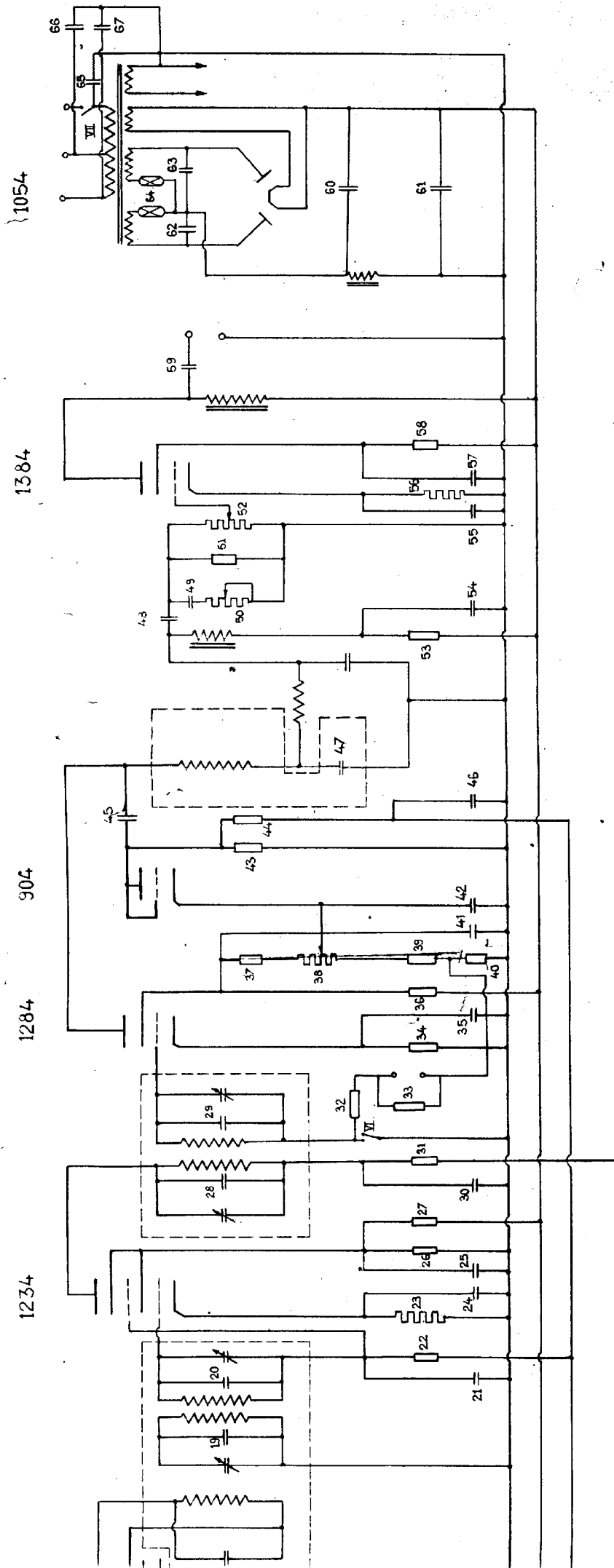


1234

924



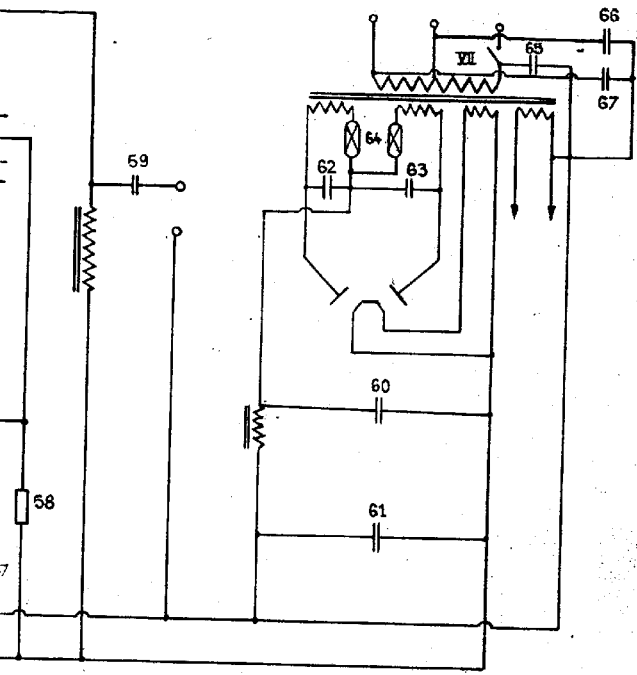
616.W.



„WALDORP“ SUPER HETERODJNE TIPE 616 W.

84

1054



	KG.	LG.	P.U.
I	●	○	○
II	●	○	●
III	●	○	○
IV	●	○	○
V	●	●	○
VI	●	●	○
VII	●	●	●

№99R

„WALDORP” SUPER-HETERODJUNE 616W.

(SCHEMA №99)

1	25 c.m.	24	1 μ F	47	100 c.m.
2	100 c.m.	25	1 μ F	48	20 000 c.m.
3	0.5 m Ω	26	0.04 m Ω	49	5000 c.m.
4	1 μ F	27	0.05 m Ω	50	0.5 m Ω
5	0.1 m Ω	28	250 c.m.	51	0.3 m Ω
6	1 μ F	29	250 c.m.	52	0.5 m Ω
7	500 Ω	30	1 μ F	53	0.25 m Ω
8	1 μ F	31	0.015 m Ω	54	1 μ F
9	0.04 m Ω	32	0.02 m Ω	55	10 μ F
10	0.05 m Ω	33	0.1 m Ω	56	530 Ω
11	0.015 m Ω	34	0.01 m Ω	57	2 μ F
12	1 μ F	35	1 μ F	58	5000 Ω
13	1 μ F	36	0.075 m Ω	59	1 μ F
14	0.04 m Ω	37	0.020 m Ω	60	4 μ F
15	100 c.m.	38	0.01 m Ω	61	4 μ F
16	0.1 m Ω	39	0.010 m Ω	62	10 000 c.m.
17	800 Ω	40	2500 Ω	63	10 000 c.m.
18	50 c.m.	41	1 μ F	64	0.1 amp.
19	250 c.m.	42	1 μ F	65	5000 c.m.
20	250 c.m.	43	0.5 m Ω	66	5000 c.m.
21	0.15 μ F	44	0.5 m Ω	67	5000 c.m.
22	0.1 m Ω	45	20 000 c.m.		
23	500 Ω	46	0.15 μ F		